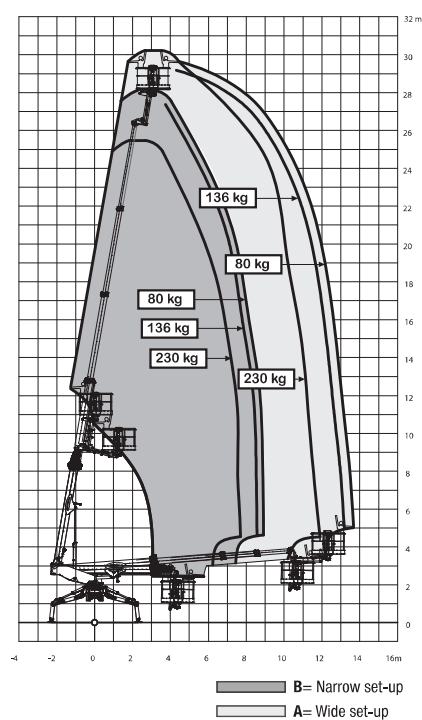
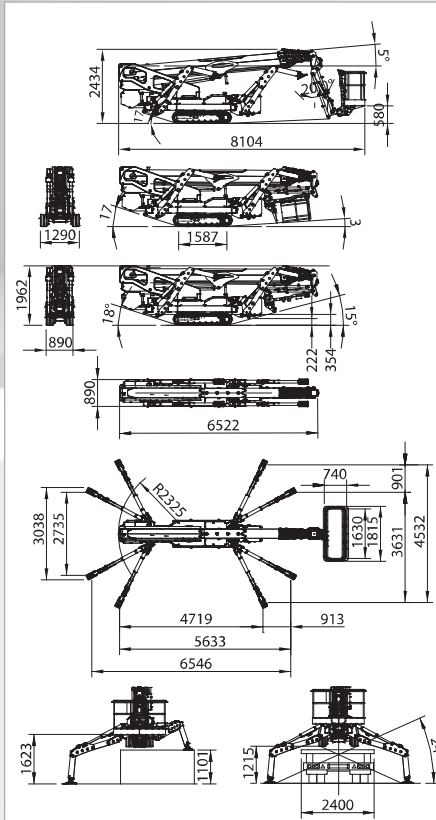


# SERIES SPIDER 30 T

**Lightweight, agile and extremely compact at 30m of working height.**

- Easy city transportable
- Only 88cm (35") wide to go trough a single door.
- Automatic stabilization and automatic storage device.
- Absence of pipes and cables outside the telescopic arm
- In narrow stabilization up to 18.5 m of outreach

- Easy maintenance
- Simple and intuitive on-board equipment
- Diagnostics with display installed on board.
- Air & Water & 220 Vac outlets into the basket
- Wide cage, with 230 kg capacity (2 operators)
- Cage interchangeable with winch (optional)



TECHNICAL SPECIFICATIONS		STD	E	ED
Maximum working height	m		30,20	
Floor height	m		28,20	
Maximum side outreach	m		13,60	
Rotation angle of the tower	°		360	
Aluminium basket dimensions	m		1,80x0,70	
Basket rotation angle	°		86+86	
Maximum capacity of basket	Kg		230	
Length closed (basket disassembled)	m		6,58	
Minimum width closed	m		0,89	
Minimum height closed	m		1,98	
Overall dimensions	m	Wide	4,53 x 4,72	
Stabilization		Narrow	2,73 x 6,55	
Maximum horizontal inclination	degrees/%		14° (31%)	
Maximum side inclination	degrees/%		17° (31%)	
Maximum speed	Km/h	2,0	1,2	2,0
<b>WEIGHTS</b>		<b>STD</b>	<b>E</b>	<b>ED</b>
Weight in work conditions*	Kg	4720*	4800*	4880*
Ground pressure stowed machine	KN/m <sup>2</sup>	3,88	3,88	4,00
Ground pressure when on stabilizers	KN/m <sup>2</sup>	2,17	2,17	2,24
Max point load on one stabilizer	KN	32,4	32,4	33,5
<b>POWER</b>		<b>STD</b>	<b>E</b>	<b>ED</b>
D902 Kubota diesel engine	HP/rpm	22/3600	-	22/3600
Electric motor 220 Vac	CV/KW	3/230	3/230	-
Electric Motor 24 Vdc	CV/KW	-	7,4/24	7,4/24
Traction battery capacity	24Vdc Lithium Ion	Ah	400	400
Battery charger	lithium ion	Ah	100/50	100/50

\* Subject to change depending on configuration.