

Meet

DINO 185XTC II

SPIDER DINO®



Standard features in DINO 185XTC II:

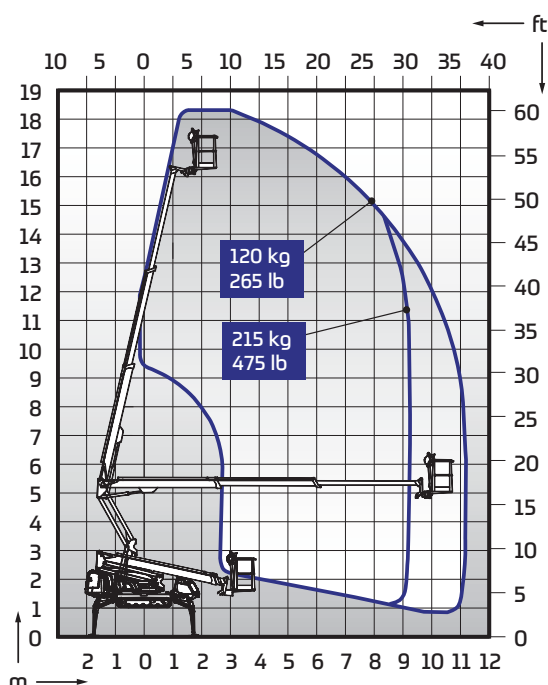
- Compact and narrow; width 1.4 m / 1.18 m
- Extremely stable to drive – long tracks; low ground pressure – low center of gravity
- Strong diesel engine, excellent gradeability 43 %
- Levelling to the max. inclination 16°
- Hydraulic basket rotation 180°
- Easy-entry basket
- Continuous rotation of the boom
- AC sockets in the basket

Options available for DINO 185XTC II:

- User-friendly radio control
- Automatic levelling
- Electro motor 230V
- Non-marking tracks
- DINO SafeGuard secondary guarding
- Special colour
- Converter 110V
- Narrow basket 0.70 x 0.80 m
- LED working lights

Technical data

| | Metric | Imperial |
|------------------------------|------------------|--------------------------|
| Max. working height | 18.50 m | 60 ft 8 in |
| Max. platform height | 16.50 m | 54 ft 2 in |
| Max. outreach | 11.20 m | 36 ft 9 in |
| Support width | 3.54 / 3.95 m | 11 ft 7 in / 12 ft 12 in |
| Lifting capacity | 215 kg | 475 lb |
| Basket size | 0.7 x 1.3 m | 2 ft 4 in x 4 ft 3 in |
| Boom rotation | cont. | cont. |
| Basket rotation | 180° | 180° |
| Boom control | proport. | proport. |
| Transport length | 5.93 m | 19 ft 6 in |
| Transport width | 1.40 / 1.18 m | 4 ft 7 in / 3 ft 10 in |
| Transport height | 1.98 m | 6 ft 6 in |
| Weight | 2860 kg | 6305 lb |
| AC socket in the basket x 2 | std | std |
| Diesel engine Kubota 17.3 kW | std | std |
| Length of tracks | 1.93 m | 6 ft 4 in |
| Gradeability | 43 % | 43 % |
| Max. levelling inclination | 16° | 16° |
| Drive speed | 1.4 / 2.4 km / h | 0.9 / 1.5 mph |
| Radio control | option | option |
| Automatic levelling | option | option |
| Electro motor | option | option |



DINOLIFT

UP TO THE JOB

DINOLIFT Oy | Raikkolantie 145 • FI-32210 LOIMAA, FINLAND

Tel: +358 (0)20 1772 400 • E-mail: info@dinolift.com

Read more: www.dinolift.com

Technical specifications are subject to change without prior notice.

©Dinolift Oy | 17.5.2017