

SERIE

SPIDER 22.10

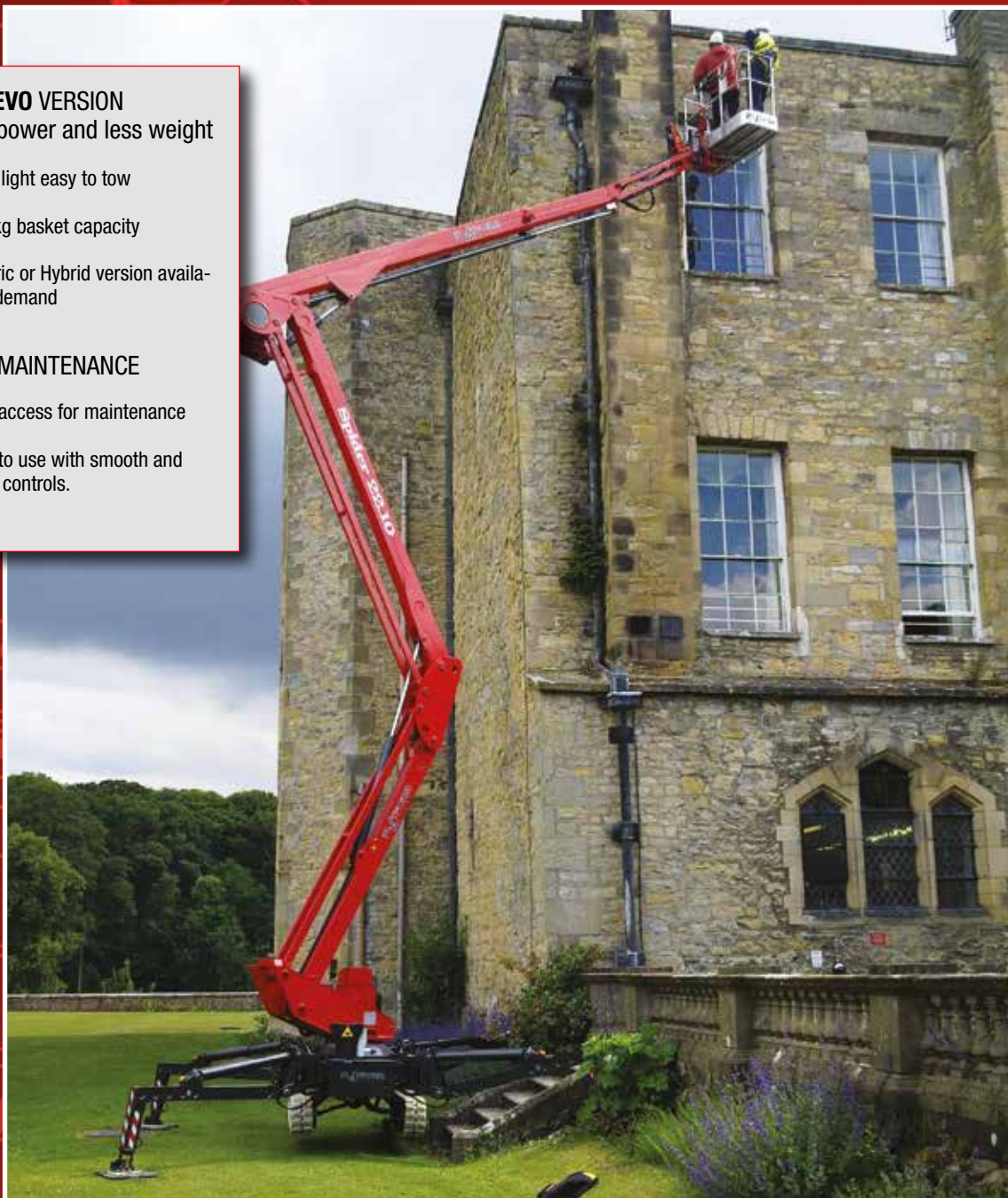
SELF-PROPELLED AERIAL WORK PLATFORMS

NEW EVO VERSION More power and less weight

- Extra light easy to tow
- 230 kg basket capacity
- Electric or Hybrid version available on demand

EASY MAINTENANCE

- Easy access for maintenance
- Easy to use with smooth and precise controls.



PLATFORM

B A S K E T

BEST PERFORMANCES

1. Articulated with double pantograph and fly jib.

- 10 m "up & over" working area with 230 Kg load capacity
- vertical lifting of the basket, raising up to 10 m like a scissor-lift
- high comfort on board thanks to the precise flying jib and the basket rotation
- Fast opening and closing



2. User friendly

- Drive and automatic stabilization and destabilization are operated by radio remote control with self-diagnostic
- The aerial movements are operated by the same radio remote control
- Proportional hydraulic movements



3. Attention to detail

- Lightweight & compact design. Road towable with suitable trailer.
- Air & Water & 220 or 110 Vac outlets in the basket as standard
- Cranked outrigger design for increased ground clearance
- Protected against falling objects by strong metal covers.
- Pipes & cables fully protected inside the booms.



4. Multi-width stabilizer settings

- Triple stabilization set-up and automatic outreach control to enable the machine to set up in confined spaces
- No rotation restrictions
- 360° of rotation angle available with 230 Kg into the basket



5. Automatic & proportional side outreach.

- The safety system automatically reduces the outreach by monitoring the weight in the basket and the residual load on each foot by means of load cells



6. Combustion Kubota diesel engine with 3 modes of use.

- Water cooled 2 cylinder Kubota diesel engine with automatic accelerator to reduce the emissions and fuel consumptions
- High power density (14Hp) allows more than one movement at the same time
- Possibility to choose 3 different speed: slow, automatic and fast



7. Multiple power solutions on demand

- The model has been produced to offer a solution for different kinds of applications
- Standard: combustion engine + 220 or 110 vac electric motor pump
- ACDC : 24 v/ 240 Ah lead acid deep battery power pack + 220 or 110 vac electric motor pump
- Hybrid: combustion engine + 24 v/ 240 Ah lead acid deep battery power pack

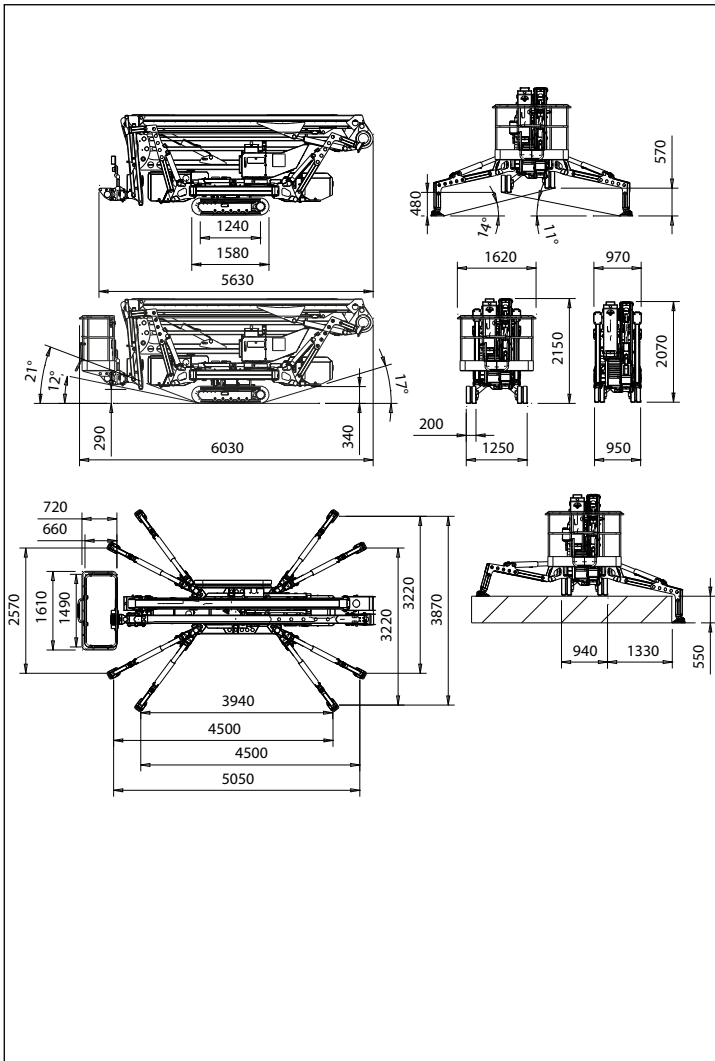


8. Hydraulically extending under carriage

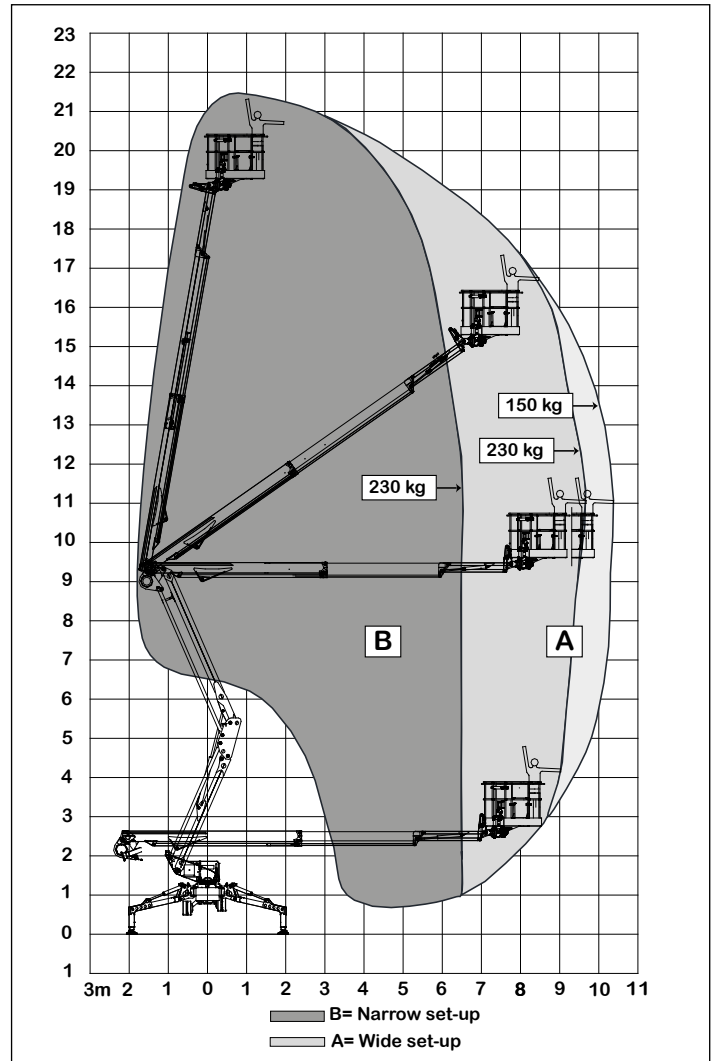
- When the tracks are fully retracted and the booms fully stowed, the height is only 2070 mm instead of 2150 mm and the width is 950 mm instead of 1250 mm.
- The diagonal movement of the hydraulic tracks allows greater ground clearance



OVERALL DIMENSIONS



WORKING ENVELOPE



OPERATIONS



SERIE SPIDER 22.10

TECHNICAL DATA		VERSION		
		STD	E	ED
Max working height	m	21,70		
Max height basket floor	m	19,70		
Max side outreach	m	10,30		
Rotation angle	°	365		
Basket size (standard version)	m	1,50 x 0,70		
Basket rotation angle	°	90+90		
Max basket capacity (2 men)	Kg	230		
Length in stowed position (with detached basket)	m	5,97		
	m	5,28		
Min width in stowed position	m	0,98		
Min height in stowed position	m	2,06		
Stabilization foot-print	m	wide 3,87 x 3,94		
	m	narrow 2,57 x 5,05		
Max gradeability	deg / %	16° (29%)		
Max side gradeability	deg / %	17° (31%)		
Max speed	Km/h	1,50	0,80	1,50
WEIGHTS		STD	E	ED
Weight in working config.*	Kg	2980*	3260*	3260*
Ground pressure stowed machine (narrow tracking)	KN/m ²	2,94	3,21	3,21
Ground pressure when on stabilizers.	KN/m ²	1,91	2,09	2,09
Max point load per outrigger plate	KN	21	23	23
POWER		STD	E	ED
Engine iGX440 Honda Petrol	hp/rpm'	13/3600	-	--
Engine D602 Kubota diesel	hp/rpm'	14/3600	-	14/3600
Electric motor 230 Vac	hp/KW	3 / 2,2	3 / 2,2	-
Electric motor 24 Vdc	hp/KW	-	7,4 / 5,5	7,4 / 5,5
Battery capacity 24Vdc lead/acid	Ah	-	2 x 210	1 x 210
	Ah	-	400	300
Battery charger - lead/ battery	Ah	-	45	45
	Ah	-	100/50	100/50

* Some weights may differ due to the chosen options.

STANDARD EQUIPMENTS	VERSION		
	STD	E	ED
Articulated with double lower pantograph, upper telescopic boom and flying jib	•		
Radio remote control for all machine functions drive, set-up and boom movements.	•		
Hydraulically extending under carriage	•		
Proportional drive speed with smooth adjustment.	•		
Triple stabilization set-up and automatic monitoring device.	•		
Auto-stabilization by radio remote control.	•		
Light alu basket and easily detachable (1,5X0,7m)	•		
Spare radio remote control batteries (2 supplied with charger included).	•		
On board cable to convert the transmitter in wired remote control. available in the basket.	•		
Protected against falling objects by strong metal covers.	•		
Pipes & cables fully protected inside the booms.	•		
Electric outlets available into the basket 230/110Vac	•		
Air & water outlets into the basket (high pressure)	•		
Electric motorpump 220Vac/3hp for indoor use	•	•	--
Deep-cycle batteries 24Vdc, electric power-pack for indoor use.	--	•	•
Battery charger 24Vdc with power selector.	--	•	•
EXTRAS - ON DEMAND			
STD	E	ED	
Non-marking tracks for delicate surfaces	•	--	•
Electric emergency descent kit 24Vdc	•	--	--
Basket working light	•		
Remote diagnostics and fleet management	•		
Anticollision device fitted to the basket.	•	•	•
Over-sized nylon plates (40x40cm)	•	•	•
Biodegradable oil	•	•	•
Arctic lubricants for cold climate	•	--	•
single man alu detachable basket (0,80x0,70m)	•		
Lithium-ion battery pack for longer working cycle	--	•	•
APPROVALS			
Europe EN280 - Canada: CS-B354 - Australia: AS14.18			



STD
 - Combustion engine
 - Electric motor-pump single phase 230/110 Vac



E - ELECTRIC
 - Electric motor-pump single phase 230/110 Vac
 - Electric pump 24Vdc with deep cycle battery



ED - HYBRID
 - Combustion engine
 - Electric pump 24Vdc with deep cycle battery



PLATFORM BASKET

PLATFORM BASKET
 Via Montessori, 1 - 42028 Poviglio - RE - Italy
 Tel. +39 0522 967666 - Fax +39 0522 967667
 info@platformbasket.com

