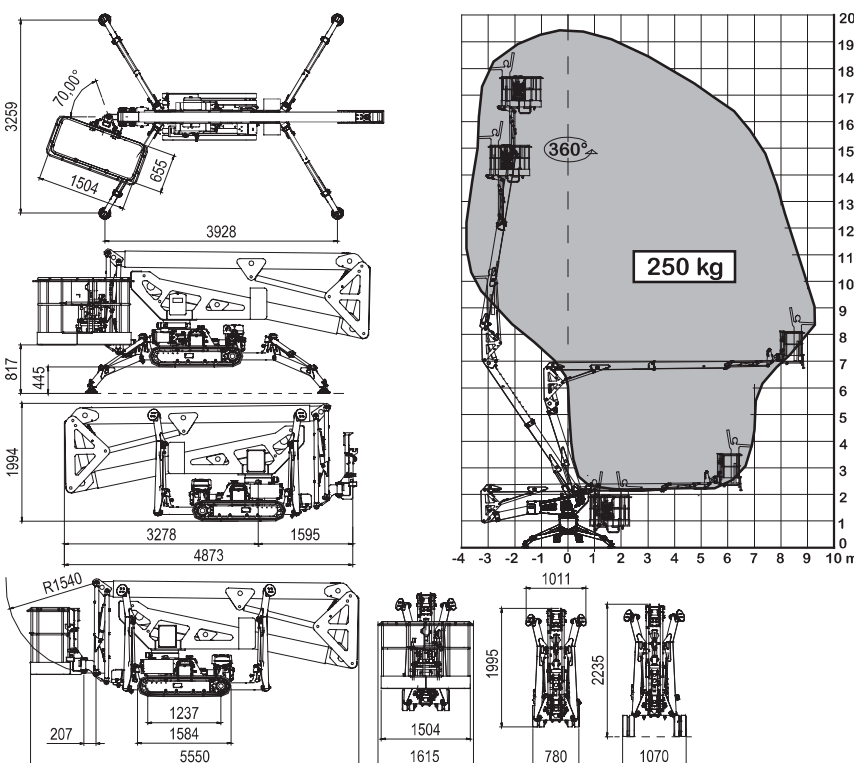


SERIES SPIDER 20.95

Technology and performance that do not fear comparison

- Ultra-light and easy to transport with trailers
- 250 kg capacity in the basket without outreach restrictions
- Excellent obstacle clearance height
- Standard configuration equipped with stabilization and automatic reclosing device
- Versions for every need, Diesel, AC electric, with Lithium ion battery operation
- Remote Control for translation and emergency aerial controls
- Absence of pipes and cables outside the arms
- Optimal protection of all exposed parts at risk of falling objects
- Air/water and 230Vac lines available in the basket
- Proportional and adjustable speed in translation and for aerial movements
- Display with operating diagnostics on board the platform



TECHNICAL SPECIFICATIONS			
	STD	E	ED
Maximum working height	m	19,40	
Floor height	m	17,40	
Maximum side outreach	m	9,50	
Rotation angle of the tower	°	400	
Aluminium basket dimensions	m	1,50 x 0,70	
Basket rotation angle	°	90+90	
Maximum capacity of basket	Kg	250	
Length closed (basket disassembled)	m	5,55 (4,87)	
Minimum width closed	m	0,79	
Minimum height closed	m	1,99	
Overall dimensions Stabilization	m	3,25 x 3,92	
Maximum horizontal inclination	degrees/%	20° (36%)	
Maximum side inclination	degrees/%	17° (31%)	
Maximum speed	Km/h	1,5	0,8
			1,5
WEIGHTS		STD	E
Weight in work conditions*	Kg	2700*	2750*
Ground pressure stowed machine	KN/m ²	2,94	3,21
Ground pressure when on stabilizers	KN/m ²	1,91	2,09
Max point load on one stabilizer	KN	21	23
			23
POWER		STD	E
Honda iGX390 petrol engine	HP/rpm	12/3600	-
Z482 Kubota diesel engine (optional)	HP/rpm	11/3200	-
Electric motor 220 Vac	CV/KW	3 / 2,2	3 / 2,2
Electric Motor 24 Vdc	CV/KW	-	5,4/4,0
			5,4/4,0
Traction battery capacity	Ah	-	200
			400
			150
			200
Battery charger	Ah	-	45
			100/50
			45
			100/50

* Subject to change depending on configuration.